



601 N. Broadway ♦ Salina, KS 67401

Veris 2000XA Parts Manual

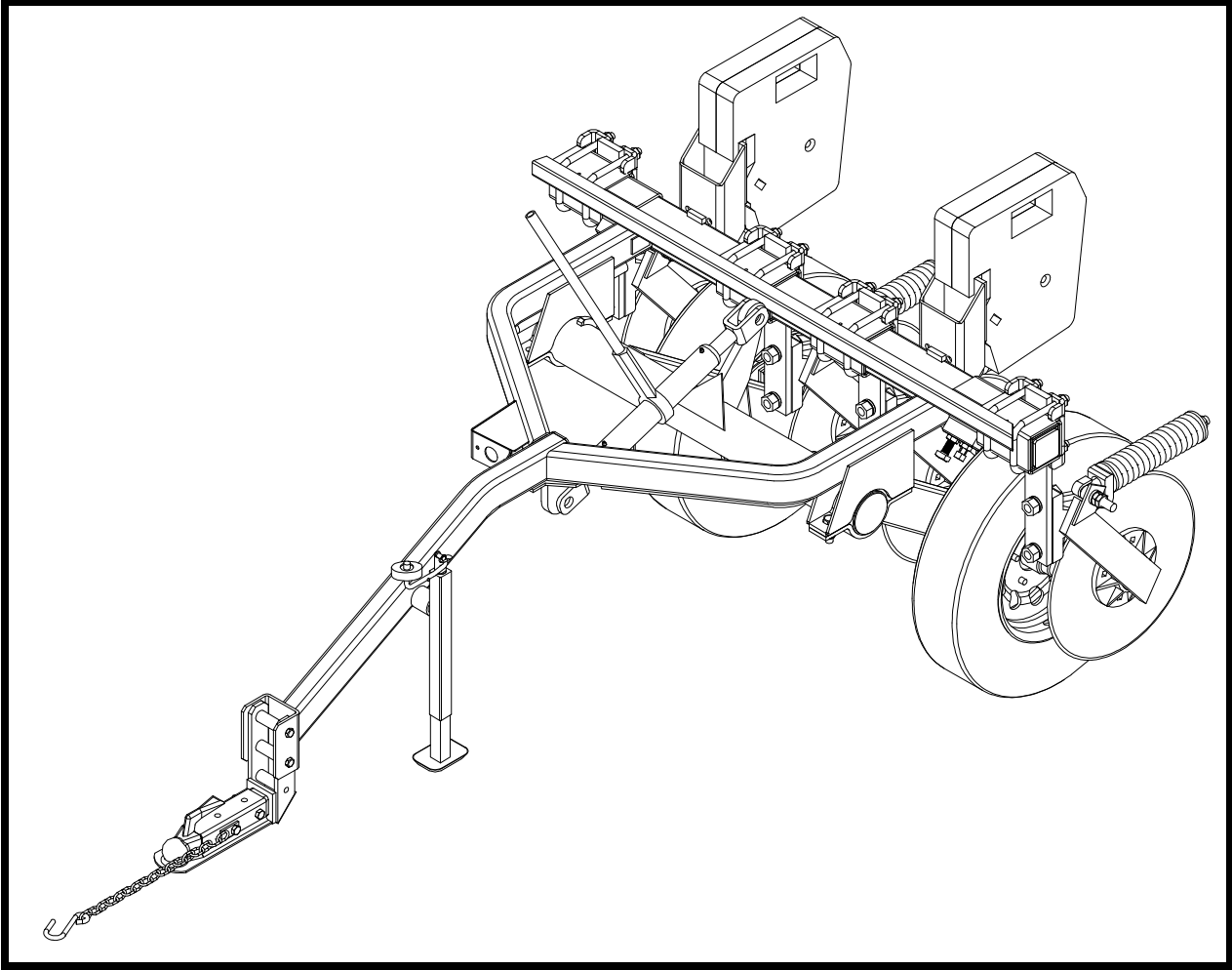
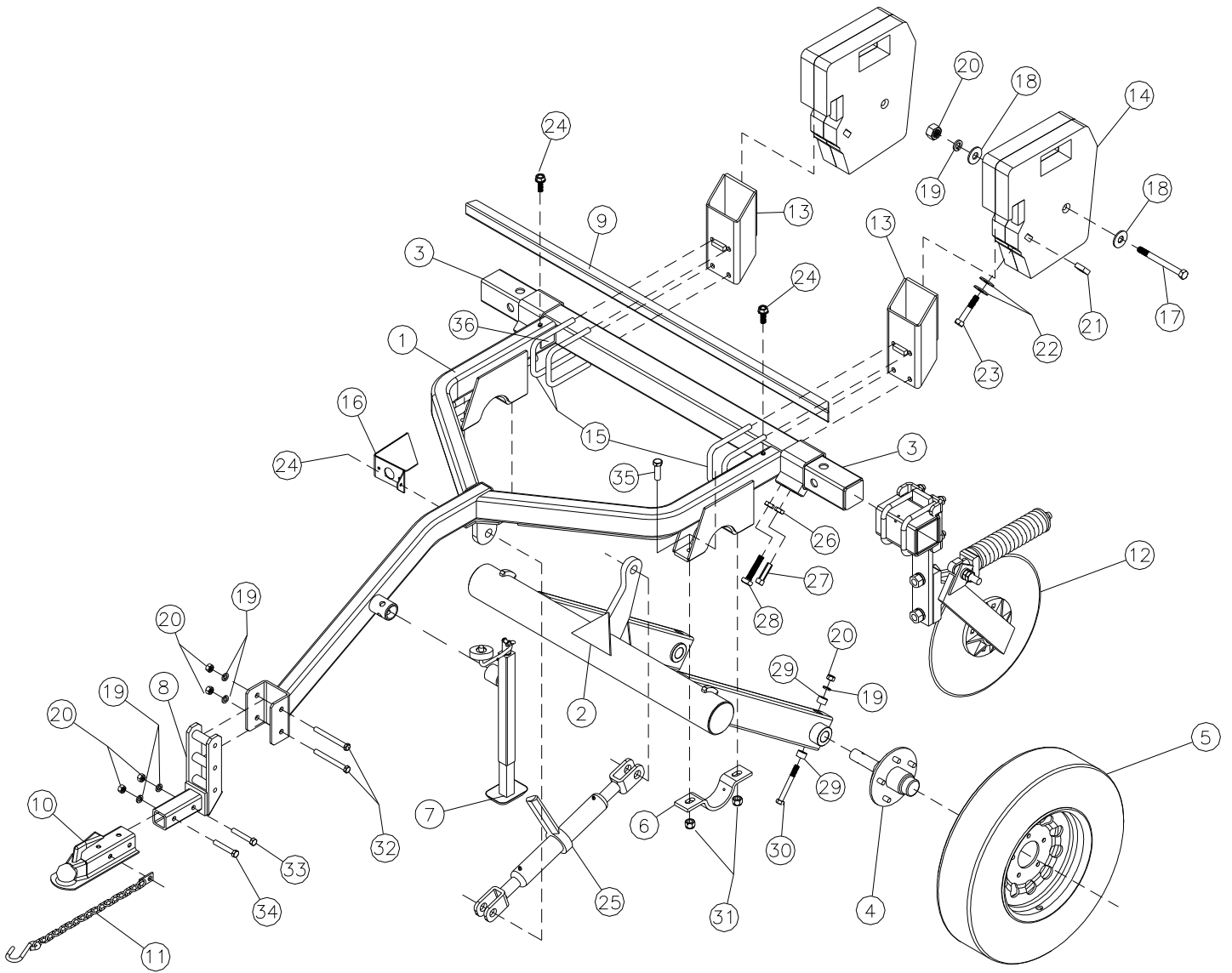


Table of Contents

Main Assembly.....	3, 4
Coulter Assembly – Serial No.’s 20017 and above.....	5, 6
Coulter Assembly – Serial No.’s 20016 and below.....	7, 8
Wiring Diagram.....	9
Implement Signal Extension Cable 30’.....	10
Implement Coulter Signal Cable.....	10

Main Assembly

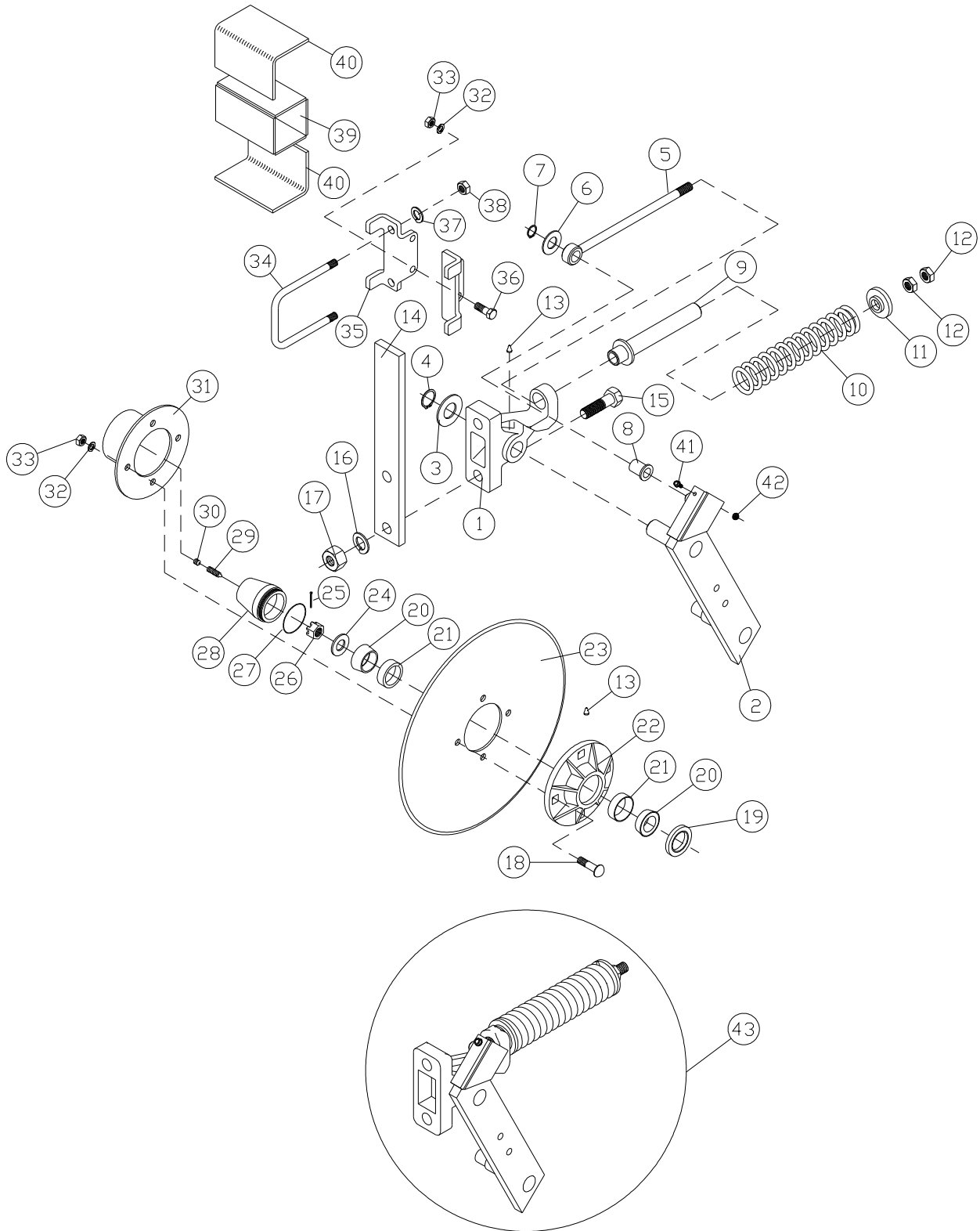


Main Assembly

Ref No.	Part No.	Part Description
1	15091	Frame ASM V2000
2	15119	Rockshaft ASM V2000
3	15118	Wing Extension Assembly
4	14013	Hub/Spindle ASM VS2000 5 Bolt 4.5"
5	13138	Tire/Wheel ASM 13"
6	11350	Bushing Lower Face
7	7724	Jack, Top Wind Swivel
8	12303	Ball Coupler Mount Assembly
9	14518	Wiring Channel V2000
10	11676	Ball Coupler 2"
11	12368	Safety Chain Assembly
12	10970	Veris Coulter Assembly
13	15130	Weight Bracket
14	18994	Suitcase Weight 82#
15	15160	U-Bolt 1/2-13 x 3" x 4"
16	15114	Harness Mount
17	7417	Bolt HH 1/2-13 x 2.5"
18	6441	Flat Washer USS 1/2
19	1267	Lock Washer 1/2
20	1390	Nut Hex 1/2-13NC
21	11504	Nut Square 5/8-11NC
22	6477	Wash Flat USS 5/8
23	11505	Bolt Hex 5/8-11NC x 3.25"
24	12214	Bolt flg. 1/4-20NC 0.5"
25	7723	Ratchet Jack
26	12673	Nut jam 5/8
27	24385	Set screw Sq Hd 5/8" 11 x 2.5
28	15307	Set screws sq hd 5/8-11 x 3
29	8517	Swing Arm Bushing
30	9707	Bolt HH 1/2-13 x 4.25"
31	8508	Nut Lock Nyl. Insert 5/8-11
32	7499	Bolt 1/2-13NC x 5"
33	8559	Bolt 1/2-13NC x 3"
34	9705	Bolt 1/2-13NC x 3.25"
35	1275	Bolt 5/8-11NC x 2"
36	8524	Serial Tag

Coulter Assembly

For serial numbers – 20017 and above

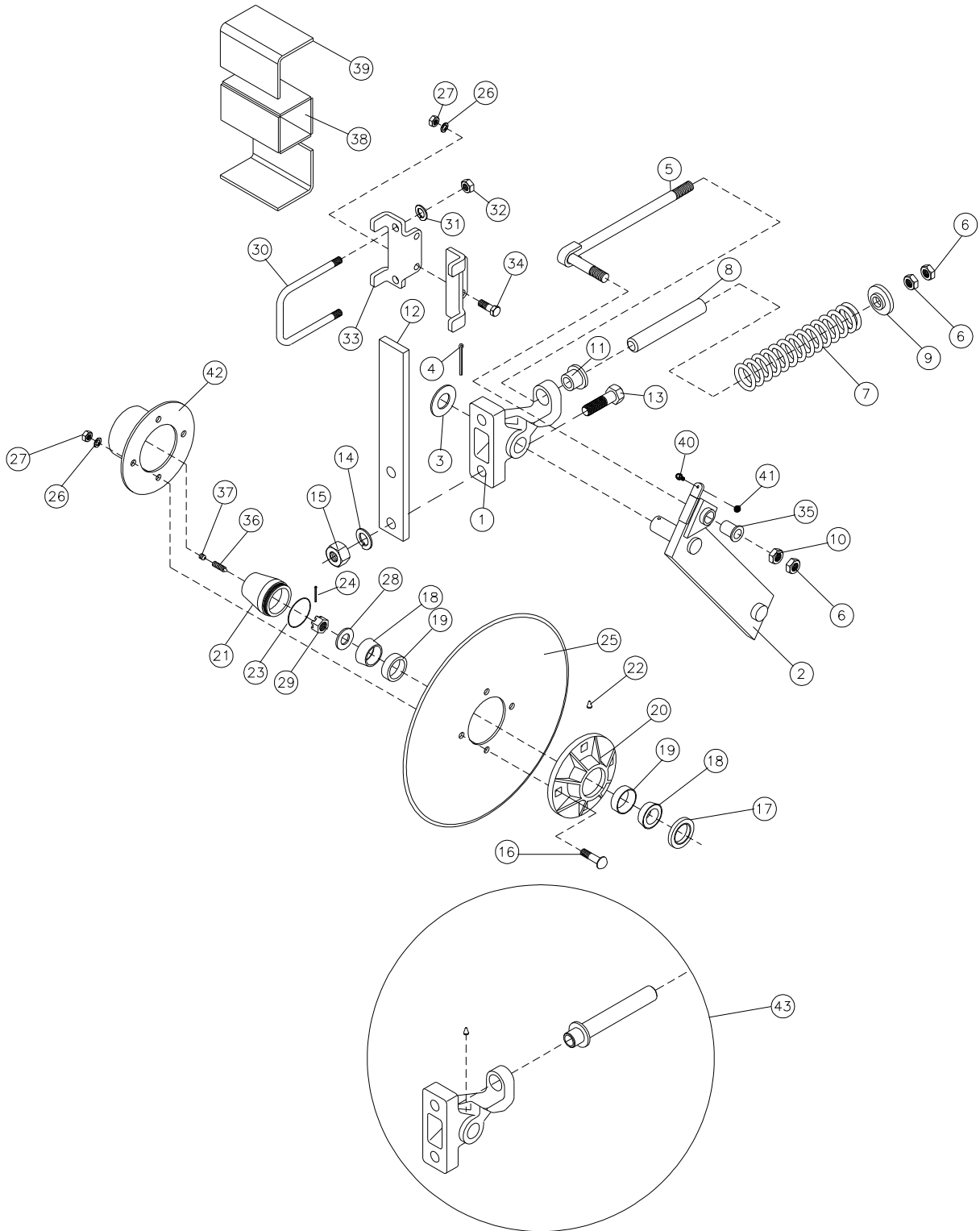


Coulter Assembly

Ref No.	Part No.	Part Description
1	22271	Coulter Mount Casting
2	22274	Coulter Swing Arm
3	22282	Wash Mach. 1 7/8" x 1 1/4"
4	22281	Snap Ring Ext. 1 1/4" Heavy
5	22276	Eye Bolt 3/4-10NC x 14 3/4"
6	22279	Wash Mach. 1 1/4" x 3/4"
7	22275	Snap Ring Ext. 3/4" Heavy
8	22280	Bushing 1 x 3/4 x 1 1/8 Flg.
9	22277	Coulter Spring Guide Tube
10	10980	Coulter Spring
11	10982	Coulter Spring Washer Cast
12	8644	Nut Hex Jam 3/4-10NC
13	11031	Grease Zerk 1/4-28NF Str.
14	10984	Coulter Spring Bar
15	10983	Bolt HH 7/8-9NC x 2.75"
16	11029	Washer Lock 7/8
17	11030	Nut Hex 7/8-9NC
18	10996	Bolt CH 1/2"-13NC x 1.25
19	10985	Grease Seal Coulter Hub
20	10986	Bearing Tapered Roller
21	10987	Bearing Cup
22	7900	Hub
23	7720	Blade Coulter
24	11032	Washer Spindle 7/8
25	11034	Pin Cotter 0.188 x 1.75
26	11033	Nut Castle 7/8-14 NF
27	7958	O-ring 037 Buna 70
28	7898	Hub Cap w/3/8 Tap
29	7721	Spring Plunger 3/8-16 x 1.125"
30	7957	Set Screw SH Cup 3/8-16NC x .375
31	15135	Rock Guard Assembly
32	1267	Lock Washer 1/2
33	1390	Nut Hex 1/2-13NC
34	10992	Bolt U 5/8-11 x 4" x 6"
35	10990	Coulter Clamp Bar
36	7841	Bolt HH 1/2-13NC x 1.75"
37	1275	Lock Washer 5/8
38	1280	Nut Hex 5/8-11NC
39	7671	Slide Nylon .188" x 3.19" x 6"
40	7363	Coulter Bracket
41	4413	Bolt Flg. 1/4-20NC x .75"
42	4414	Nut Lock Flg. 1/4-20NC
43	22269	Coulter Sub Assembly - 03

Coulter Assembly

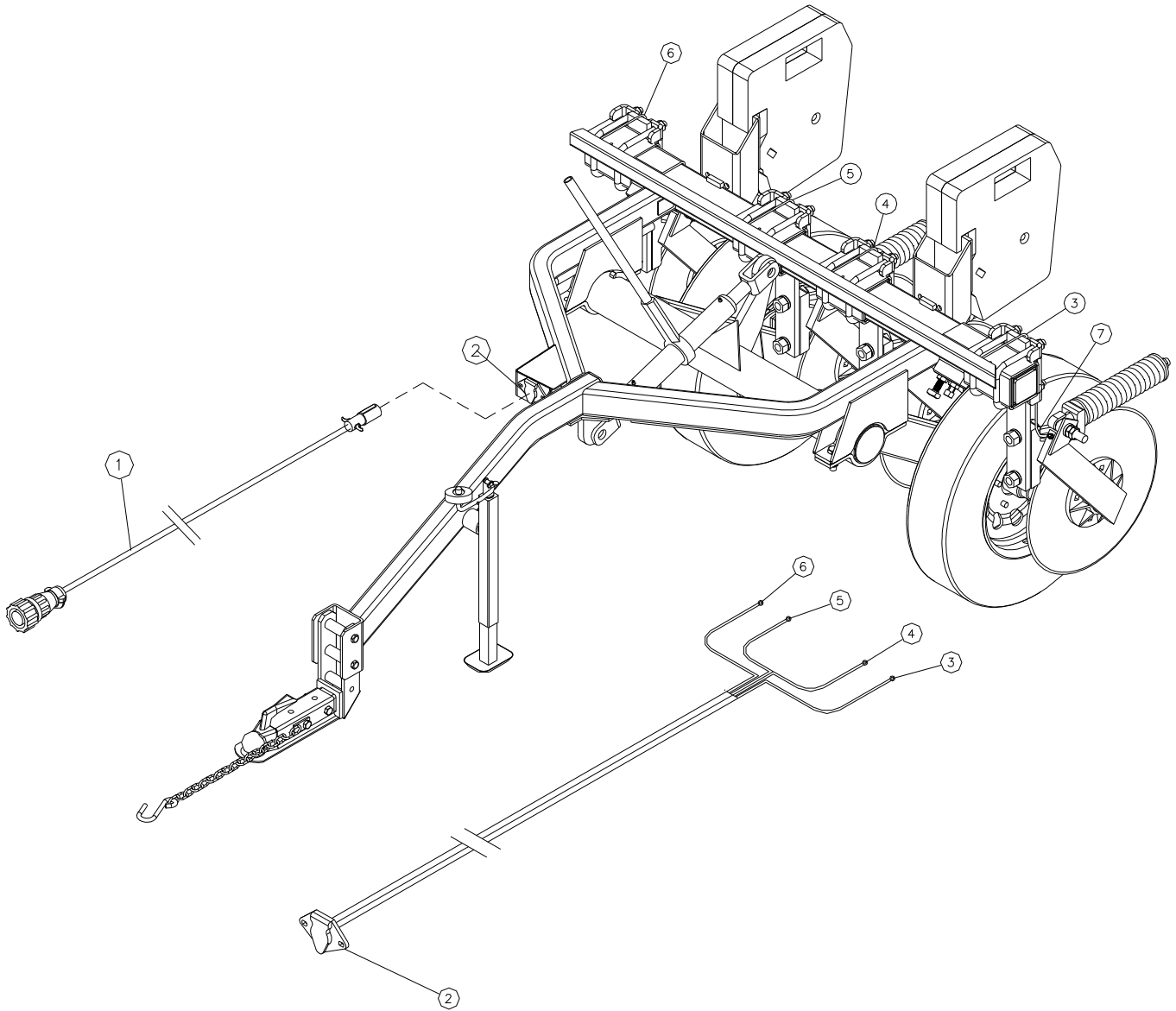
For serial numbers - 20016 and below



Coulter Assembly

Ref No.	Part No.	Part Description	Comments
1	10977	Coulter Mount Casting	Replaced by Part No. 28901, (Ref. No. 43)
2	11050	Coulter Swing Arm	
3	11027	Wash Flat SAE 1-1/4"	
4	11028	Pin Cotter 0.25 x 2"	
5	10979	Coulter Spring Rod	
6	8644	Nut Hex Jam 3/4-10NC	
7	10980	Coulter Spring	
8	10981	Spring Rod Sleeve 1-1/8" OD	
9	10982	Coulter Spring Washer Cast	
10	11005	Nut Lock Flg. 3/4-10NC	
11	10983	Coulter Casting Bushing	
12	10984	Coulter Spring Bar	
13	10983	Bolt HH 7/8-9NC x 2.75"	
14	11029	Washer Lock 7/8	
15	11030	Nut Hex 7/8-9NC	
16	10997	Bolt Carriage 1/2-13NC x 1.26	
17	10985	Grease Seal Coulter Hub	
18	10986	Bearing Tapered Roller	
19	10987	Bearing Cup	
20	7900	Hub	
21	7898	Hub Cap w/3/8 Tap	
22	11031	Grease Zerk 1/4-28NF	
23	7958	O-ring 037 Buna 70	
24	11034	Pin Cotter 0.188 x 1.75	
25	7720	Coulter Blade 17.19" x 0.517"	
26	1267	Lock Washer 1/2	
27	1390	Nut Hex 1/2-13NC	
28	11032	Washer Spindle 7/8"	
29	11033	Nut Castle 7/8-14 NF	
30	10992	Bolt U 5/8-11 x 4" x 6"	
31	1275	Lock Washer 5/8	
32	1280	Nut Hex 5/8-11NC	
33	10990	Coulter Clamp Bar	
34	7841	Bolt HH 1/2-13NC x 1.75"	
35	10991	Swing Arm Bushing	
36	7721	Spring Plunger 3/8-16 x 1.125"	
37	7957	Set Screw SH Cup 3/8-16NC x .375	
38	7671	Slide Nylon .188" x 3.19" x 6"	
39	7363	Coulter Bracket	
40	4413	Bolt Flg. 1/4-20NC x .75"	
41	4414	Nut Lock Flg. 1/4-20NC	
42	15135	Rock Guard Assembly	
43	28901	2005 Coulter Casting Update Kit	Replaces Part No. 10977, (Ref. No. 1)

Wiring Diagram



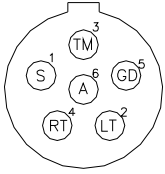
Wiring Diagram

Ref No.	Qty.	Part No.	Part Description
1	1	13602	Implement Signal Extension Cable
2	1	14564	Implement Coulter Signal Cable
3	---	-----	Black (Long) to Coulter # 1
4	---	-----	White (Short) to Coulter # 2
5	---	-----	Black (Short) to Coulter # 3
6	---	-----	White (Long) to Coulter # 4
7	6	14226	Coulter Wire

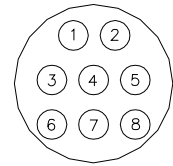
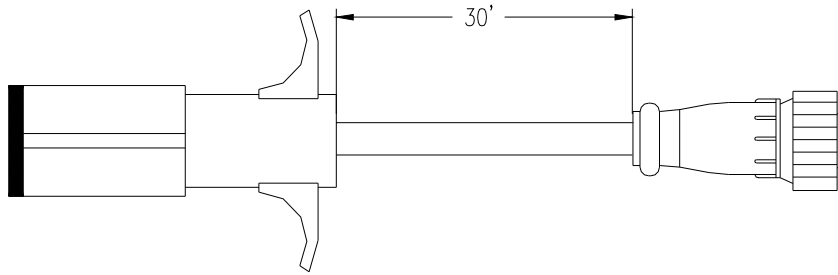
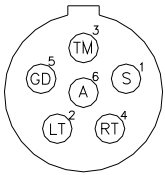
Implement Signal Extension Cable 30'

Part No. 13602

FRONT VIEW



BACK VIEW



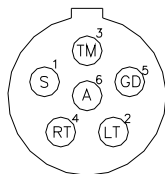
A	RED WIRE
S	BLACK/RED WIRE
RT	BLACK/WHITE WIRE
LT	WHITE WIRE
GD	BLACK/GREEN WIRE
TM	GREEN WIRE

PIN	WIRE
1	BLACK/RED
2	WHITE
3	GREEN
4	BLACK/WHITE
5	BLACK/GREE
7	RED

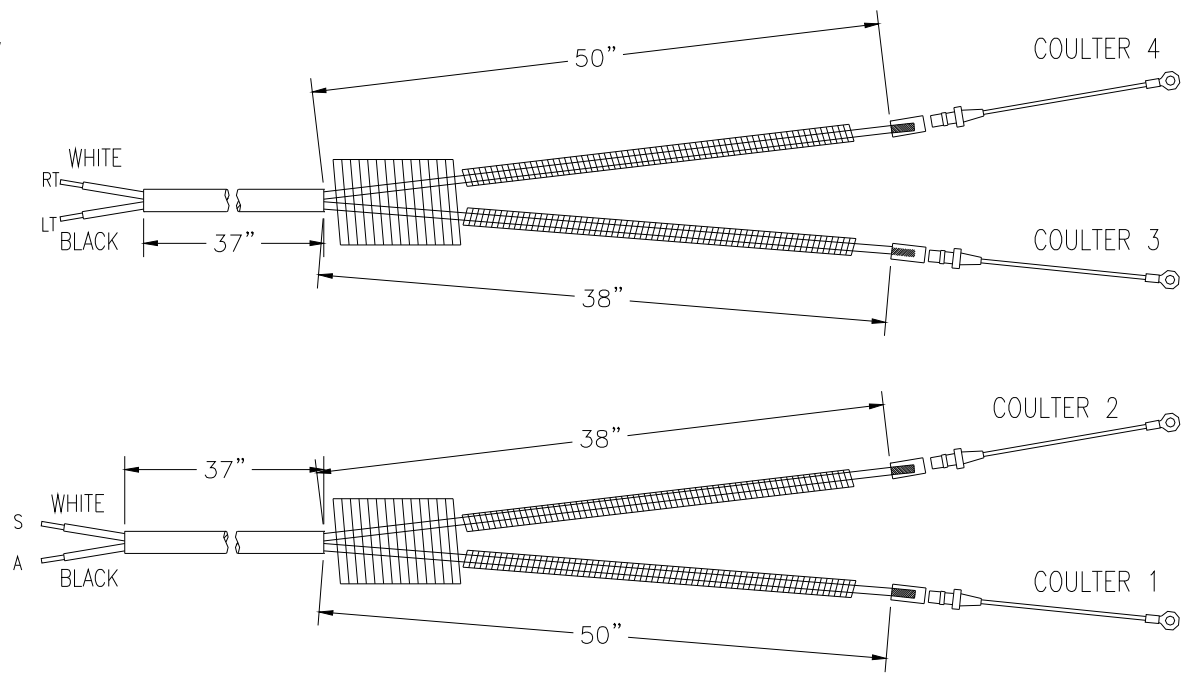
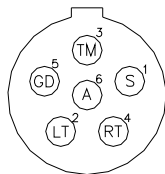
Implement Coulter Signal Cable

Part No. 14564

FRONT VIEW



BACK VIEW



A	-	BLACK
S	-	WHITE
RT	-	WHITE
LT	-	BLACK